



Polytronix Glass

PolyPattern™ and PolyBlind™ Glass

Patterned Switchable Privacy Film and Glass Technical Data



PolyBlind™ is one of our newest technologies; a patented technology that divides switchable sections as blinds for privacy, one section at a time in a single piece of film or glass without visible wires. It can be programmed to transition up or down, or you can program only one or two sections at a time to be “private” while others are clear. Video:

<https://drive.google.com/file/d/0B8uQi7yBxh4WUVZnTnRJbEFZtmM/view?usp=sharing>

PolyPattern™ is another new technology from Polyvision™ utilizing very similar technology, but customized with logos, designs, and more like the photos above. PolyPattern™ uses customized images to divide switchable sections as patterns for privacy, one section at a time in a piece of film or glass.

Video: <https://drive.google.com/file/d/0B8uQi7yBxh4WdTIPQU1CU2haWVvK/view?usp=sharing>

Polytronix Glass, Inc.

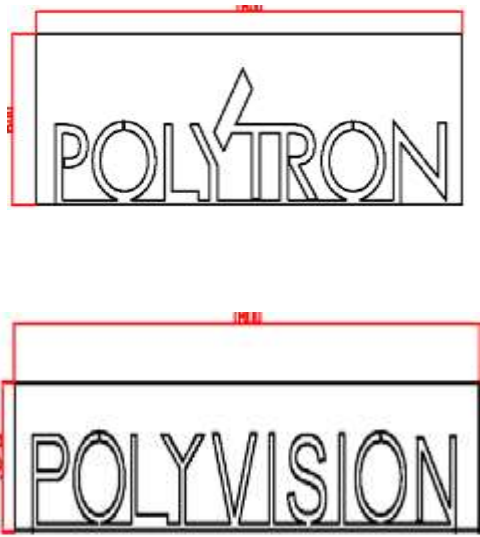
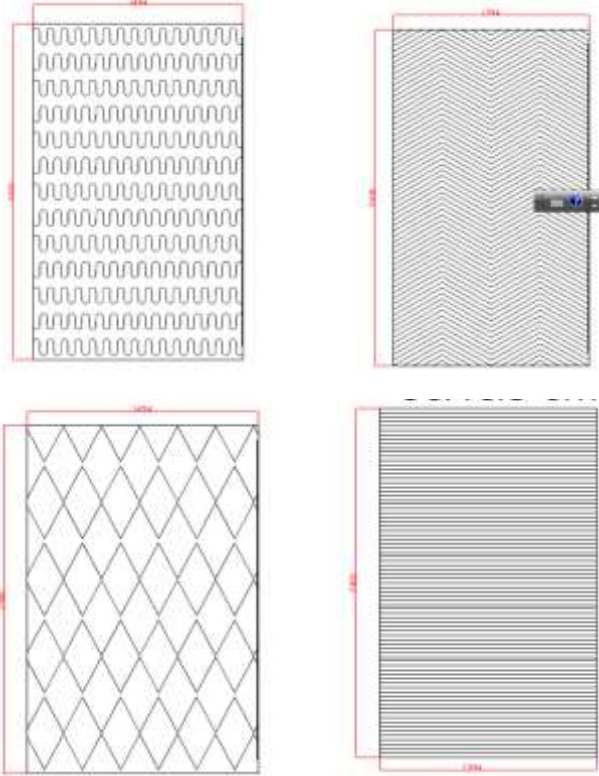
705 N. Plano Rd., Richardson, TX 75081

Phone: 972-238-7045 **Email:** Inquiry@PolytronixGlass.com

www.PolytronixGlass.com



Polytronix Glass

Product	PolyPattern™ - Patterned Film/Glass	PolyBlind™ - Blind Film/Glass
Design & Drawing Reference		
Max size	53" x 120" 1350mm x 3200mm	
Film Price	Price is Dependent on Size and Design (Please Contact Us To Get A Quote)	
Design charge	US \$500/Per Design Note: Minimum distance from film edge to design edge must be at least 7/16" (10mm)	N/A Multiple predetermined designs available
Handling charge	US \$400/Per Order	
Controllers	See Specifications below	
Lead time	Film: 3 to 4 weeks (Excluding Shipping) Glass: 7 to 8 weeks (Excluding Shipping)	

Polytronix Glass, Inc.
 705 N. Plano Rd., Richardson, TX 75081
Phone: 972-238-7045 **Email:** Inquiry@PolytronixGlass.com
www.PolytronixGlass.com

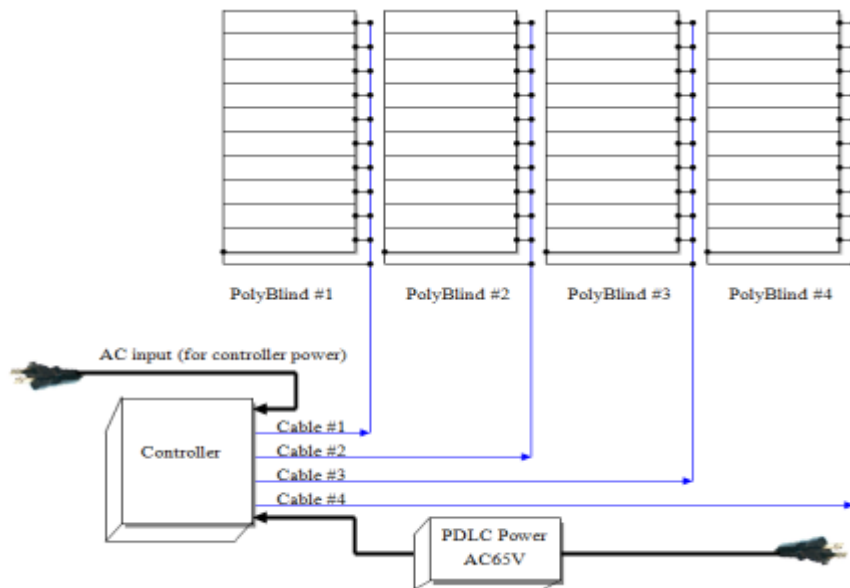


Polytronix Glass

	Manual	Automatic
Controller	Users will set the program via controller by themselves. For example, pressing switch to select a mode.	The program has been preprogrammed into the controller. Patterned/blind film will be controlled thru that program and will be operated automatically without any extra settings required. This controller can be reprogrammed later.
Cost	\$300	\$3,000 Per Controller
SPEC	N/A	N/A

Note: We are not capable of offering detailed technical descriptions/info for Automatic controllers at this time. All of the controllers are custom manufactured based on our client's requests. If you have a specific request for the controller, our engineering colleagues can provide you more details. Please contact us for more information.

Wiring diagram for several pieces:



How to control panels:

1. There are four switches on the controller which can operate four glass panels together or separately.
2. There are two action buttons: from up to down (opaque/clear) & from down to up (opaque/clear).

Polytronix Glass, Inc.

705 N. Plano Rd., Richardson, TX 75081

Phone: 972-238-7045 Email: Inquiry@PolytronixGlass.com

www.PolytronixGlass.com



Polytronix Glass

Glass Sample Kit:

18.5" x 14.56" x 5/16" (470mm x 370mm x 7.5mm)

\$1000/per set



Pictured Above: "Running Man" / Video Clip: <https://youtu.be/lw4iCZ6XAms>



Pictures Above: "Flowers" / Video Clip: <https://youtu.be/70Bu2e1QeXA>

Polytronix Glass, Inc.

705 N. Plano Rd., Richardson, TX 75081

Phone: 972-238-7045 **Email:** Inquiry@PolytronixGlass.com

www.PolytronixGlass.com